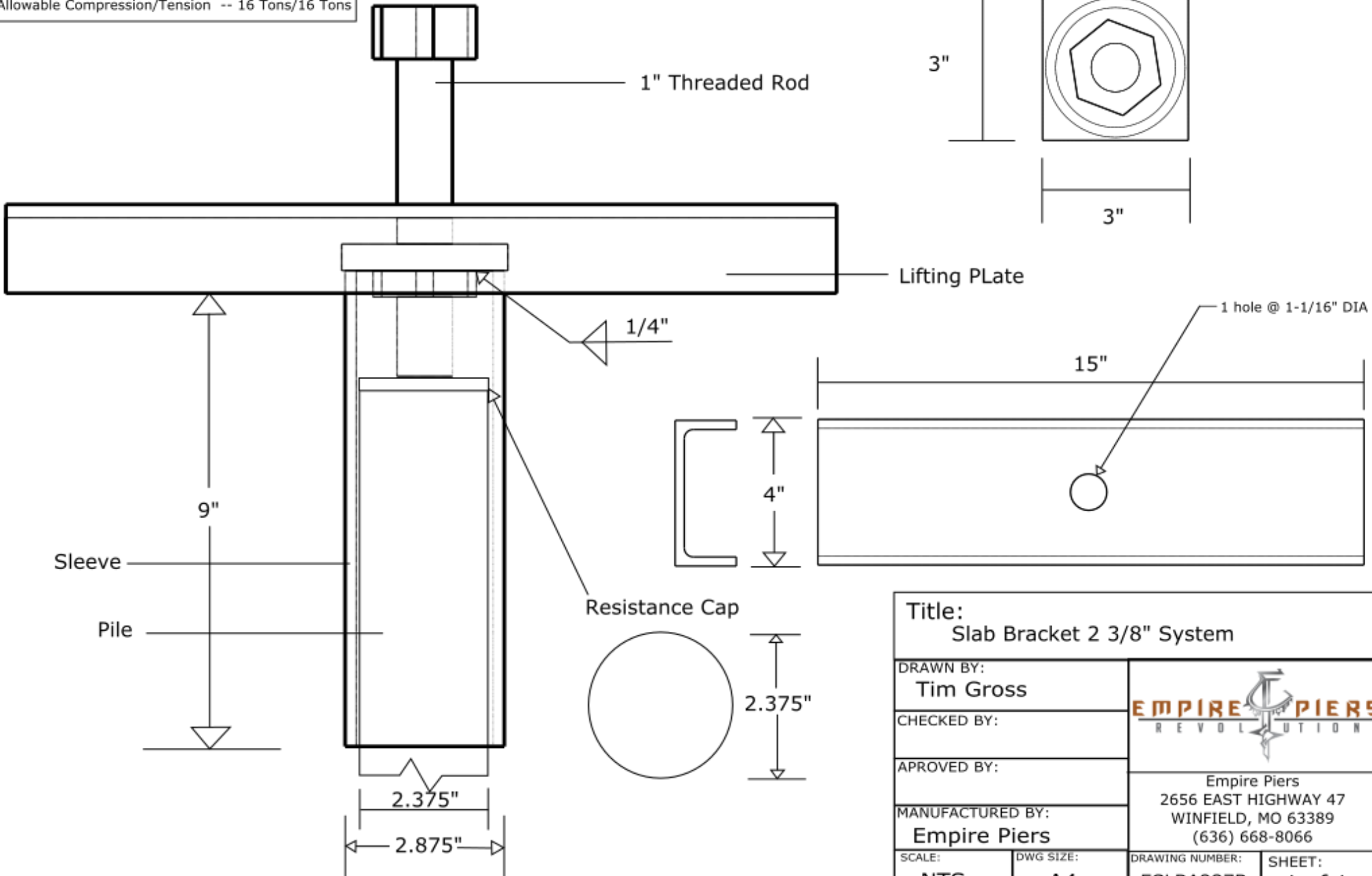



**CAP CAPACITY**

Ultimate Compression/Tension -- 32 Tons/32 Tons  
 Allowable Compression/Tension -- 16 Tons/16 Tons



<b>Title:</b> Slab Bracket 2 3/8" System			
<b>DRAWN BY:</b> Tim Gross			
<b>CHECKED BY:</b>			
<b>APPROVED BY:</b>		Empire Piers 2656 EAST HIGHWAY 47 WINFIELD, MO 63389 (636) 668-8066	
<b>MANUFACTURED BY:</b> Empire Piers		<b>DRAWING NUMBER:</b> ESLBA237B	<b>SHEET:</b> 1 of 1
<b>SCALE:</b> NTS	<b>DWG SIZE:</b> A4		